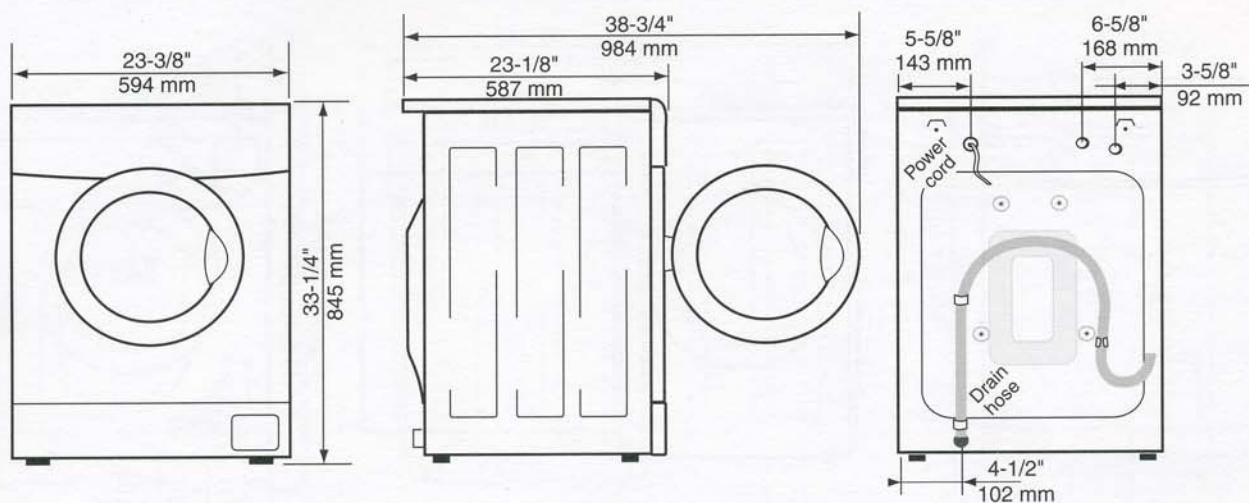


## COMBINATION WASHER/DRYER DIMENSIONS

### EWC177



### Technical Data

- Supply voltage: Single phase 115 V, 60 Hz
- Fuse/Breaker: 15 amp minimum
- Inlet supply hose: Two 5-foot (1.5 m) fill hoses (hot and cold)
- Supply pressure: 15-142 PSI
- Outlet hose: 5.5 feet (1.7 m) polypropylene hose, 3/4" ID
- Drying system: Internal Condenser (non-venting)

### **WARNING!**

**This appliance must be properly grounded. Refer to the owner's manual for instructions.**

Installation should be carried out by a qualified person who is familiar with all local codes and ordinances for electrical and plumbing connections. Incorrect installation may cause damage and/or injury. Second-floor (above grade) installations must meet all local building codes.

When placing the machine next to a wall or cabinet, be sure to leave 1/2" (12 mm) of space between the machine and the wall or cabinet.

The drain outlet should be positioned at a height between 23" (584 mm) and 35" (889 mm) from the bottom of the unit. Refer to the owner's manual for instructions.

The drying process is an internal condensing system, so the moisture is evacuated through the drain hose. Therefore, the drain hose must remain in place through the entire program (washing and drying).

The machine can be installed anywhere provided that the temperature is not less than 38° F and the electrical cords and hoses behind the machine are not cramped.

The machine should be installed on a hard floor. Do not install it on carpeting with heavy pile.